

# BDM Series PV DC Moulded Case Circuit Breaker

- 1 Brand
- 2 Type
- 3 Rated Current
- 4 Rated Voltage
- 5 Breaking Capacity
- 6 Operation Breaking Capacity
- 7 Standard Code
- 8 Certificate Symbol
- 9 Wiring Diagram
- 10 Characteristic Curve



- High Short-Circuit/Breaking Capacity
- Protection Functions: Overload, Short circuit, Unfrequent Operation
- Rated Voltage up to 500V DC
- Rated Current 125A/ 250A
- IEC60947-2, GB14048-2
- Easy Installation



**BDM-125  
With IP65 Enclosure**

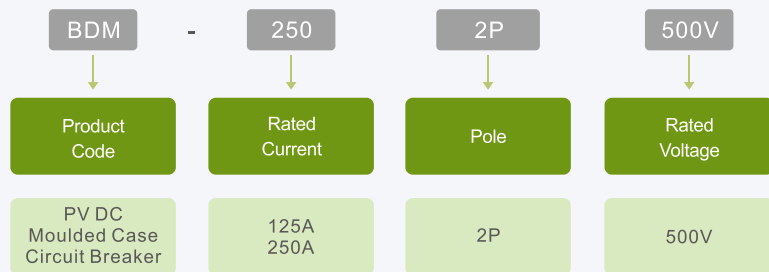
## Application

**ZBENY** BDM series PV DC Moulded Case Circuit Breaker (MCCB) are mainly used in large solar power system, which are applied for solar DC combiner box ,inverter and DC power distribution cabinet. Rated voltage up to 500V DC, current up to 250A , with the function of overload protection and short-circuit protection.

## Appearance Introduction



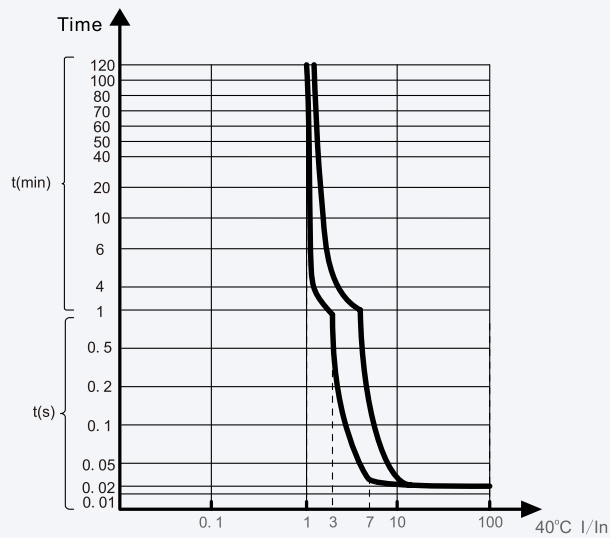
## Type Instruction



## Parameter

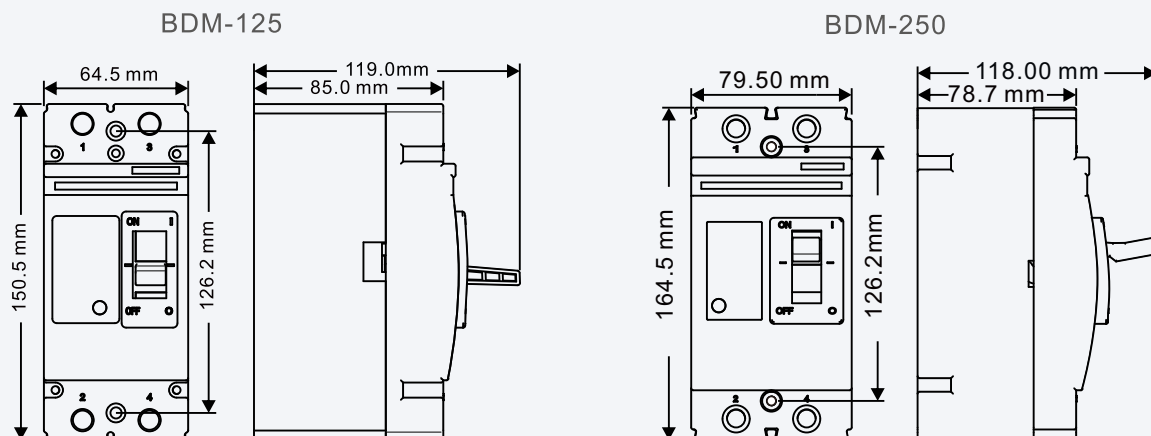
BD series PV DC MCCB		
Type		BDM-125      BDM-250
Pole		2P
Rated Current		125A      250A
Electrical Characteristics		
Rated Working Voltage	U <sub>e</sub>	500V DC
Rated Current	I <sub>n</sub> (A)	65A, 80A, 100A, 125A      125A, 160A, 200A, 250A
Rated Insulated Voltage	U <sub>i</sub>	500V DC
Rated Impulsed Voltage	U <sub>imp</sub>	8KV
1 Min Power Frequency Withstand Voltage		3.8 KV
Ultimate Breaking Capacity	I <sub>cu</sub>	15 KA
Run Breaking Capacity	I <sub>cs</sub>	15 KA
Protection		
Tripping Type		Thermal Magnetic Type
Control And Indication		
Control Mode	Manual	Optional
	Direct (RHD)	Optional
	Extended(ERH)	Optional
	MOD	Optional
Shunt Release (SHT)		Optional
Auxiliary Release		Optional
Terminal End Cover		Yes
Interphase Barriers		Yes
Service Life/Cycle Operation		
Mechanical		10000
Electrical		2000
Size (L x W x H)		150.5x64.5x119mm      164.5x79.5x118mm
Ingress Protection		All Sides IP40 ,Connection Terminal IP20
Installation Environment		
Comply With		IEC60947-2/GB14048.2
Storage Temperature		-40°C ~ +70°C

## Characteristic Curve



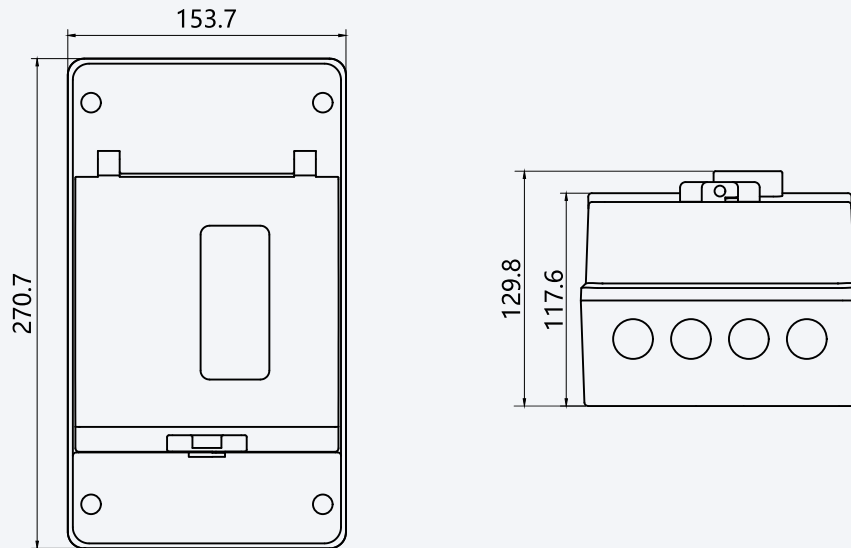
Type	BDM-125	BDM-250
Picture		
Contacts Wiring graph		

## Dimensions(mm)



## Dimensions(mm)

## IP65 Waterproof Enclosure for BDM-125



## IP65 Waterproof Enclosure for BDM-250

