



TS4-A-O

PV Module Advanced Add-On

The TS4-A-O (Optimization) is the advanced add-on optimization solution that brings smart module functionality to standard PV modules for higher reliability. Improve energy efficiency by upgrading underperforming PV systems or adding smart features to new installations.

The TS4-A-O with UHD-Core technology and expanded specifications supports PV modules up to 500W.

Included Features



Module-level **optimization** for increased energy yield and greater design flexibility



Manual or automatic module-level **shutdown**



Module-level **monitoring** for energy production tracking and system management

Easy Installation

Snap to standard module frame or remove brackets for rack mounting

Smart Commissioning

Configure and commission with your Android or iOS mobile device



TS4-A-O SPECIFICATIONS

Environmental

Operating Temperature Range	-40°C to +85°C (-40°F to +185°F)
Outdoor Rating	IP68
Maximum Elevation	2000m

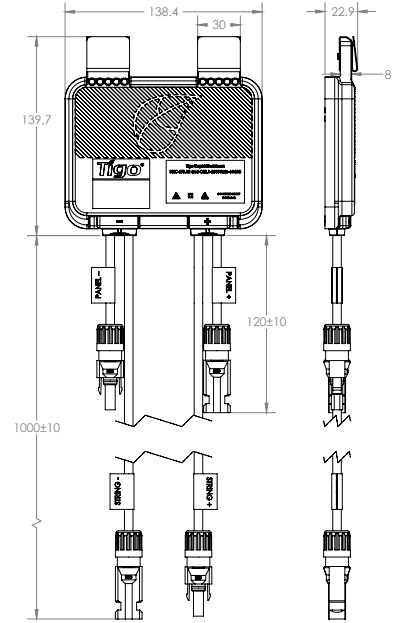
Mechanical

Dimensions	138.4mm x 139.7mm x 22.9mm
Weight	520g

Electrical

Total Max Input Voltage (V _{oc} @ Lowest Temperature)	90V
Voltage Range	16 - 90V
Maximum Current	12A
Maximum Power	500W
Output Cable Length	1.2m (standard)
Connectors	MC4 (standard)
Communication Type	Wireless

Cloud Connect Advanced (CCA) is required for monitoring and TAP is required for module-level shutdown with TS4-A-O.



ORDERING INFORMATION

Standard

451-00252-32 1000V UL / TÜV, 1.2m cable, MC4

Options

451-00257-12 1000V UL / TÜV, 1.2m cable, MC4 comparable

451-00252-32 1000V UL / TÜV, 1.2m cable, MC4

451-00261-32 1500V UL / TÜV, 1.2m cable, EVO2

For sales info:

sales@tigoenergy.com

For product info:

Visit tigoenergy.com/products

For technical info:

Visit support.tigoenergy.com



For additional info and product selection assistance, use Tigo's online design tool at tigoenergy.com/design

